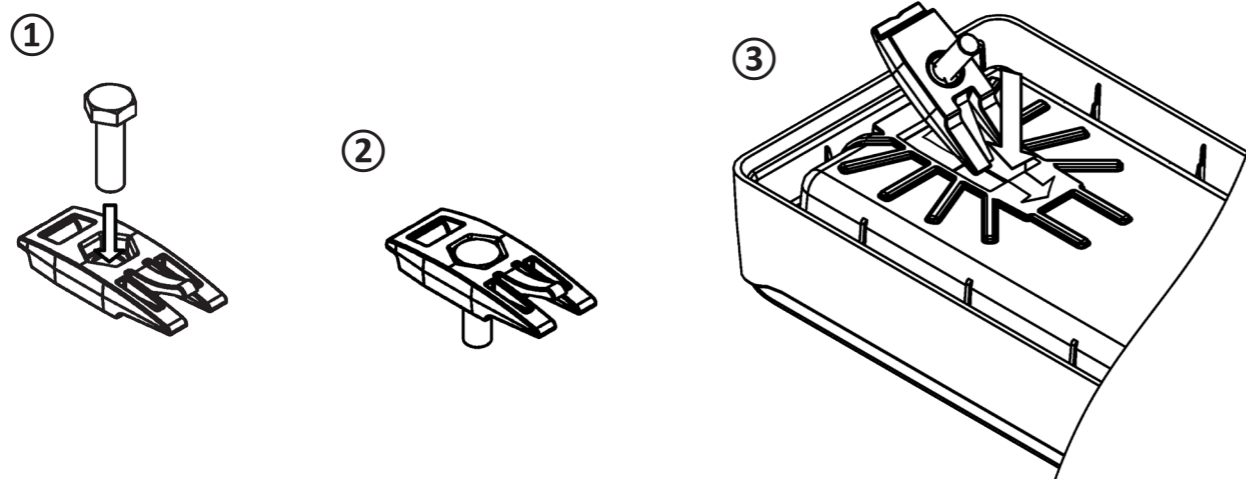


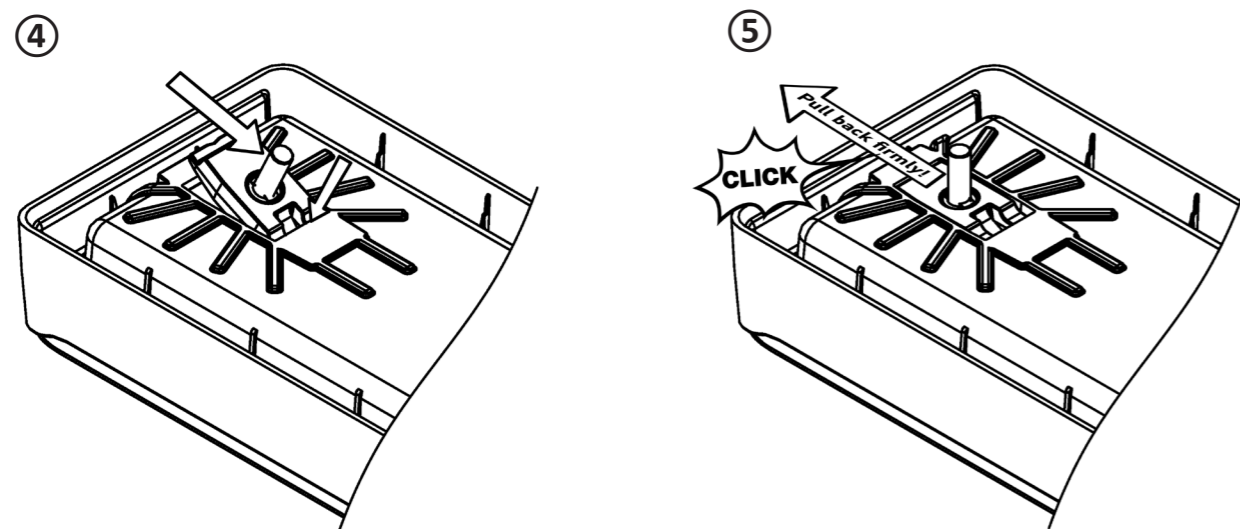
JUMBO-S LED TRIPLE CHAMBER SPARE PARTS Mounting Instruction

Installation of the Bolt Retainers (x2)

- Step 1. Insert the Hex Head Bolt into the Red Bolt Retainer.
Step 2. Push the Hex Head Bolt until it is flush with the top of the Red Bolt Retainer.
Step 3. Guide the fork end of the Red Bolt Retainer into the backplate pocket of the lamp.



- Step 4. Hold the threaded end of the Hex Head Bolt and push the Red Bolt Retainer down at an angle towards the far end of backplate pocket. The Red Bolt Retainer should then slide fully into the backplate pocket.
Step 5. Using the threaded end of the Hex Head Bolt pull the Red Bolt Retainer back towards the end of the lamp until it clicks into its final position.



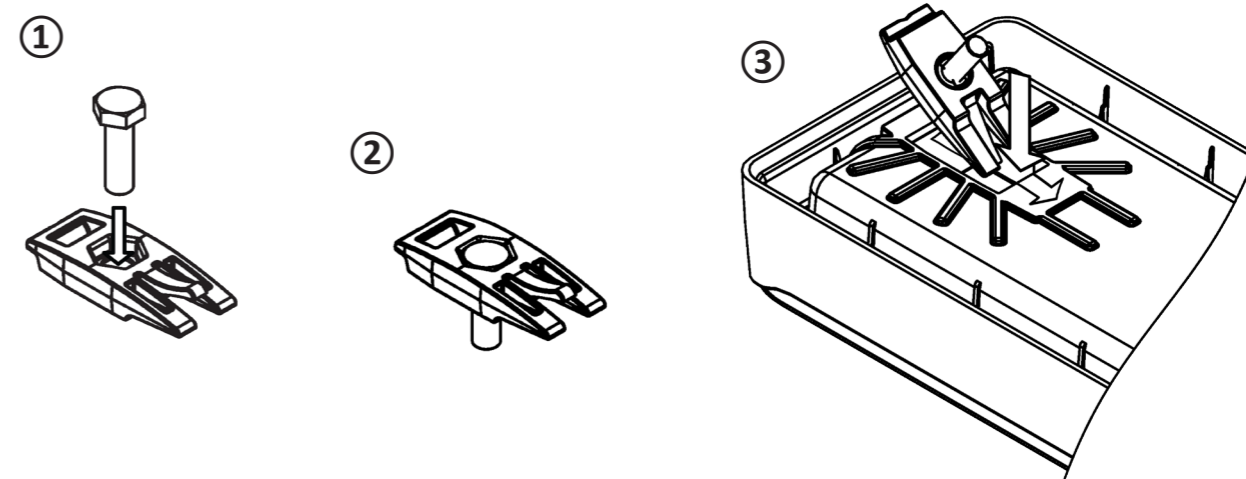
Surface Mounting

- Lamp should be mounted on a flat surface and as close as possible to the outer extremities of the vehicle. Refer to the front page for mounting restrictions.
- Determine a suitable location for the lamp and drill two Ø8.5 mm holes through the mounting surface according to the hole centre dimensions below.
- Drill a further hole for the cable to pass through. Ensure there are no sharp edges to cut or chafe the cable.
- If water can collect at the back of the lamp, ensure that there are sufficient exits for it to drain out.
- Secure the lamp to the mounting surface by tightening the two mounting nuts supplied with the lamp.

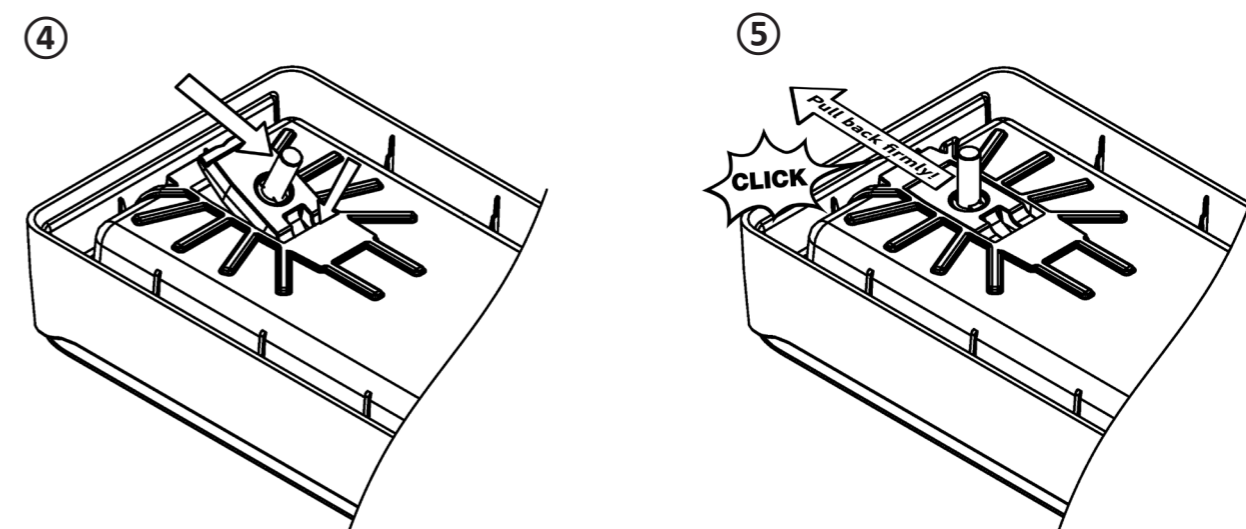
JUMBO-S LED TRIPLE CHAMBER SPARE PARTS Mounting Instruction

Installation of the Bolt Retainers (x2)

- Step 1. Insert the Hex Head Bolt into the Red Bolt Retainer.
Step 2. Push the Hex Head Bolt until it is flush with the top of the Red Bolt Retainer.
Step 3. Guide the fork end of the Red Bolt Retainer into the backplate pocket of the lamp.



- Step 4. Hold the threaded end of the Hex Head Bolt and push the Red Bolt Retainer down at an angle towards the far end of backplate pocket. The Red Bolt Retainer should then slide fully into the backplate pocket.
Step 5. Using the threaded end of the Hex Head Bolt pull the Red Bolt Retainer back towards the end of the lamp until it clicks into its final position.



Surface Mounting

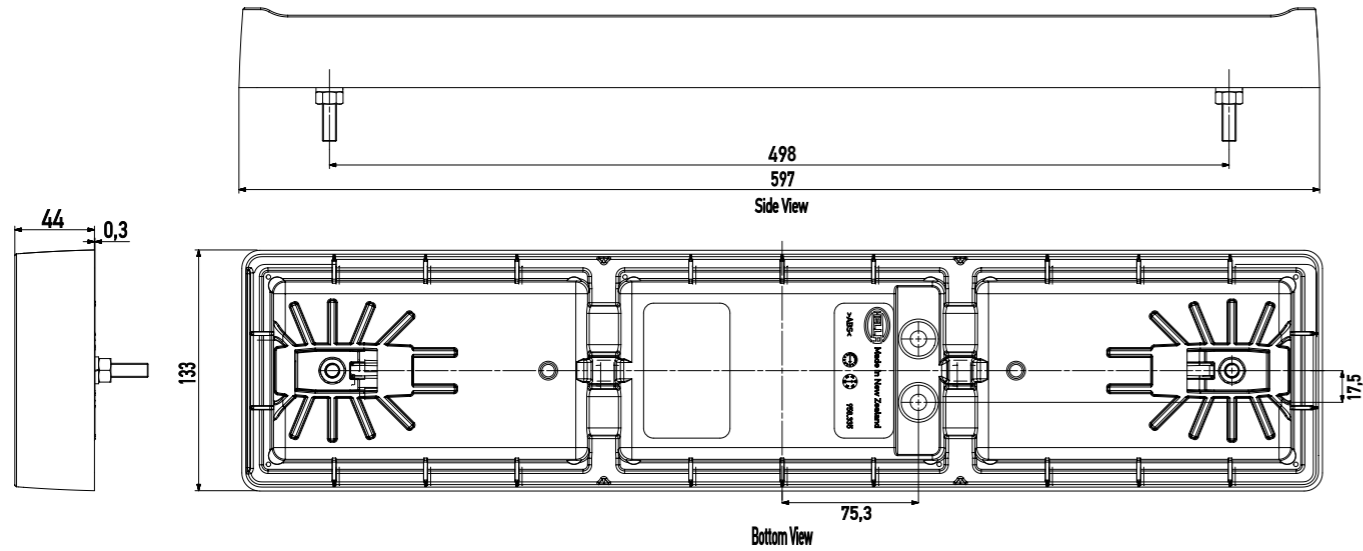
- Lamp should be mounted on a flat surface and as close as possible to the outer extremities of the vehicle. Refer to the front page for mounting restrictions.
- Determine a suitable location for the lamp and drill two Ø8.5 mm holes through the mounting surface according to the hole centre dimensions below.
- Drill a further hole for the cable to pass through. Ensure there are no sharp edges to cut or chafe the cable.
- If water can collect at the back of the lamp, ensure that there are sufficient exits for it to drain out.
- Secure the lamp to the mounting surface by tightening the two mounting nuts supplied with the lamp.

INSTRUCTION SHEET
for: **9BG 958 338-0x1**

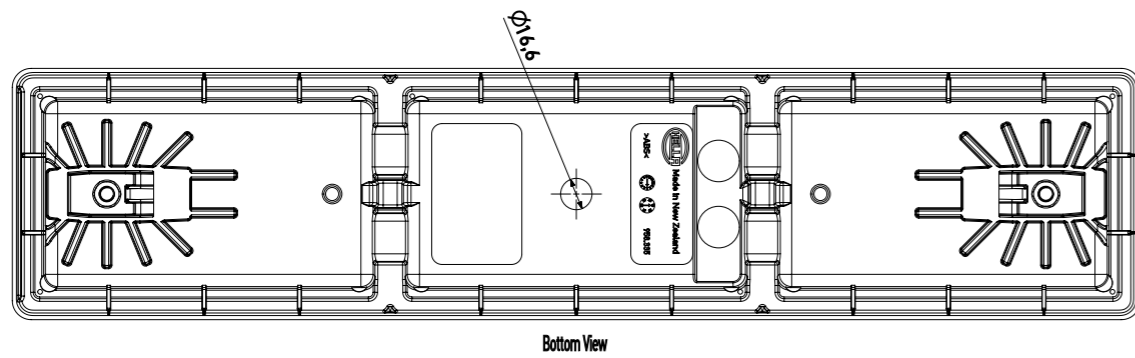


General Dimensions (in millimetres)

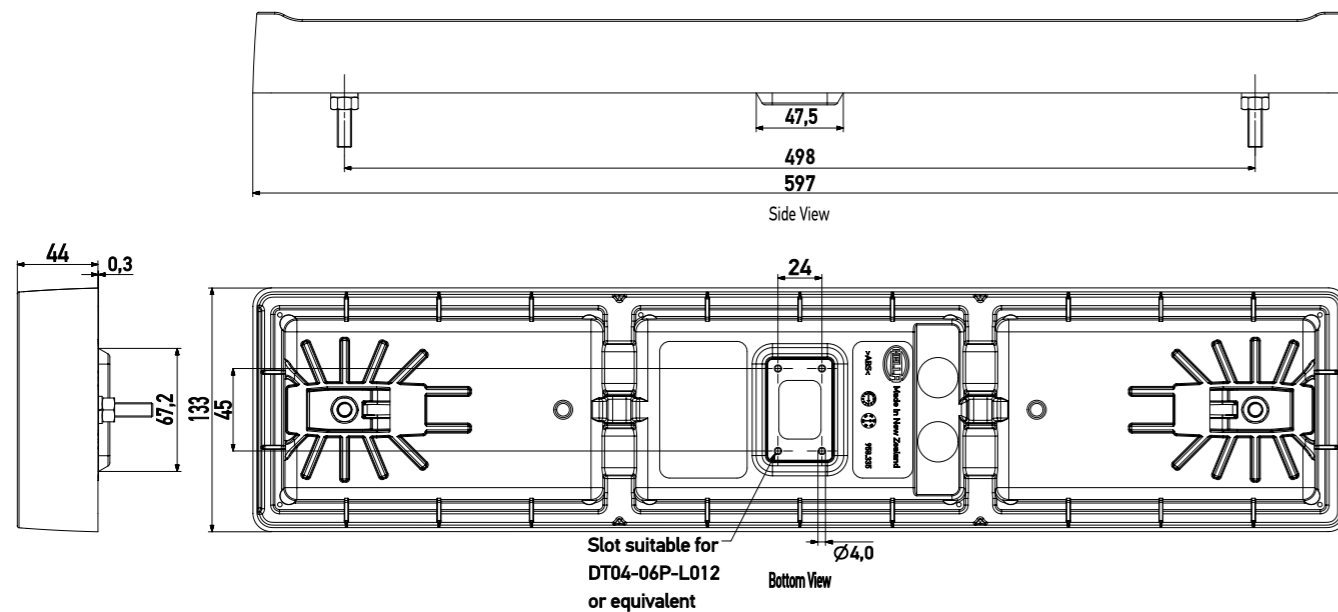
Part No.: **9BG 958 338-001**



Part No.: **9BG 958 338-011**



Part No.: **9BG 958 338-021**

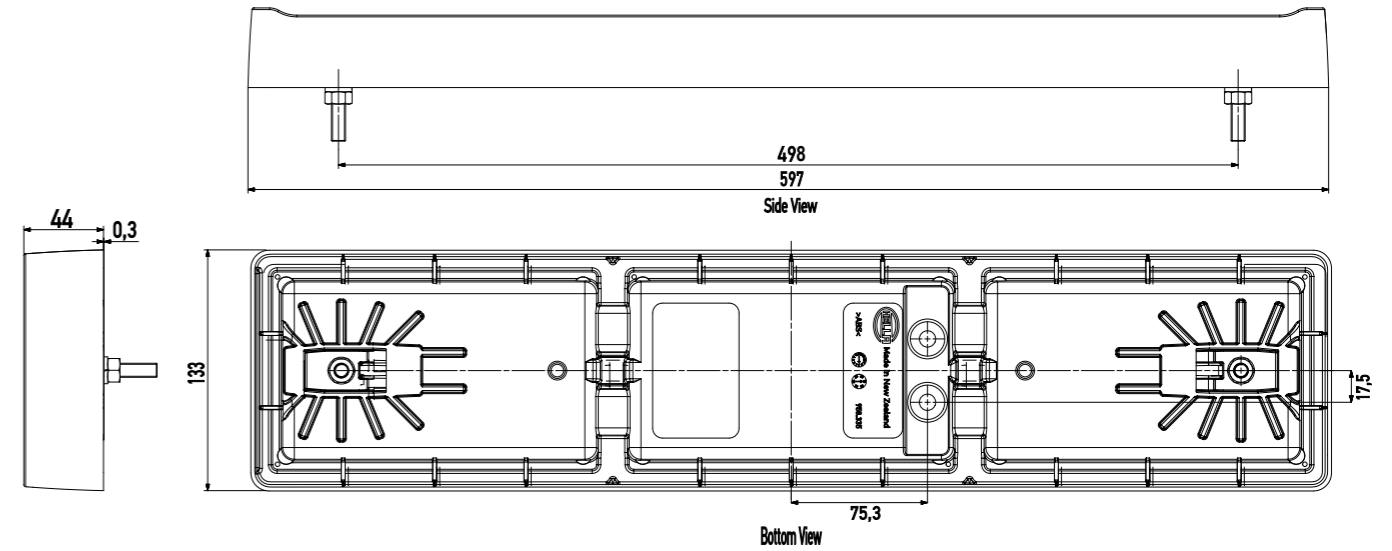


INSTRUCTION SHEET
for: **9BG 958 338-0x1**

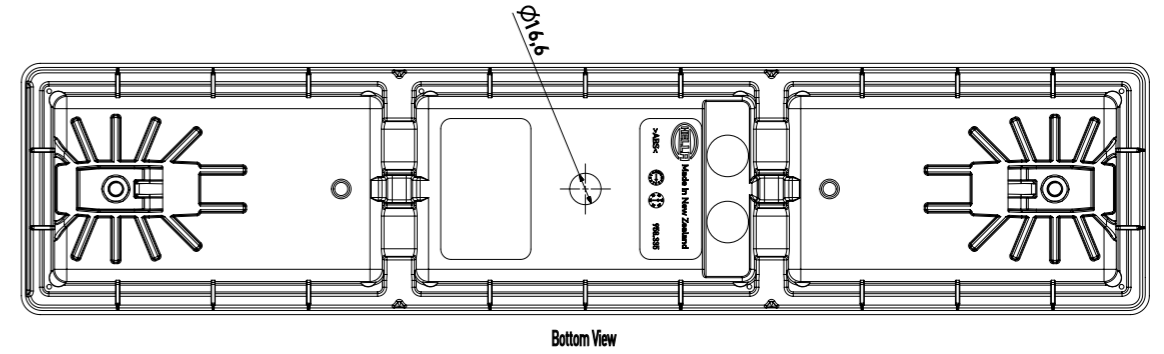


General Dimensions (in millimetres)

Part No.: **9BG 958 338-001**



Part No.: **9BG 958 338-011**



Part No.: **9BG 958 338-021**

