

## **Montageanleitung**

**EasyConn Verteiler**

## **Mounting Instructions**

**EasyConn Junction Boxes**

## **Instructions de montage**

**EasyConn Boîtes de dérivation**

## **Monteringsanvisning**

**EasyConn Kopplingsboxar**

## **Montagehandleiding**

**EasyConn Verdeeldozen**

## **Instrucciones de montaje**

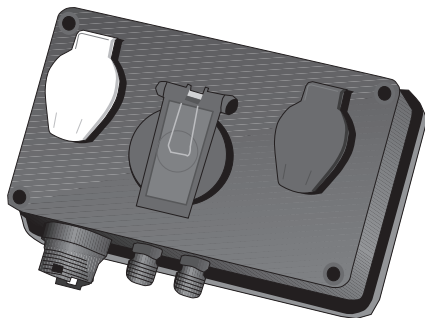
**EasyConn Distribuidores**

## **Istruzioni di montaggio**

**EasyConn Scatole di derivazione**

## **Asennusohje**

**EasyConn Jakorasiat**



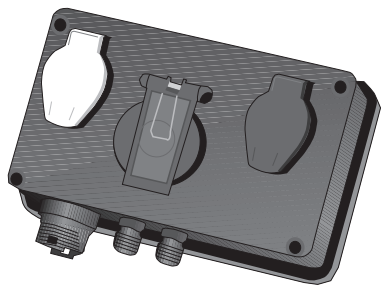


**Lieferumfang**  
Kit includes  
Fourniture

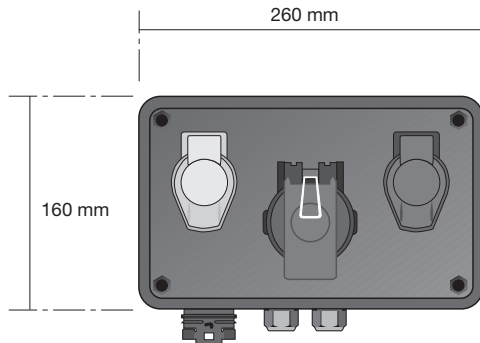
**Leveransomfattning**  
Inhoud set  
Volumen del suministro

**Dotazione di fornitura**  
Osaluettelo

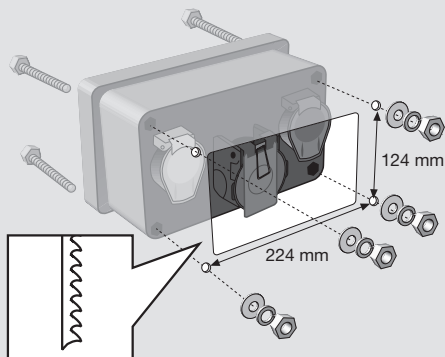
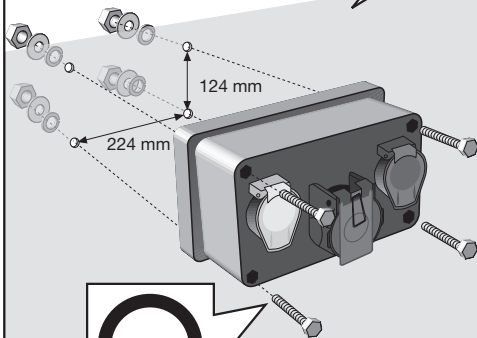
3



**8JE 340 898-001**



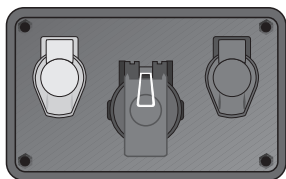
4



7-pin, 24S (ISO 3731)

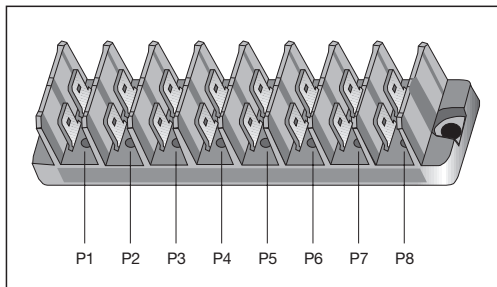
15-pin, 24V (ISO 12098)

7-pin, 24N (ISO 1185)



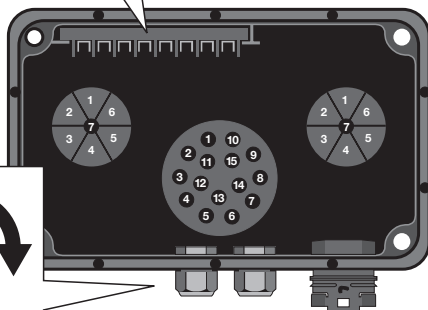
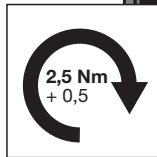
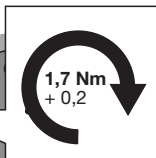
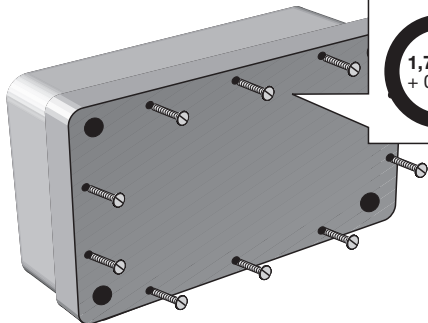
2 x M16

EasyConn 15-pin



P1 P2 P3 P4 P5 P6 P7 P8

5



**DEUTSCH**

| Funktion                  | 15-pin, 24V<br>(ISO 12098) |                 |               | 7-pin, 24N<br>(ISO 1185) | 7-pin, 24S<br>(ISO 3731) | Kontakthalter | EasyConn<br>15-pin |
|---------------------------|----------------------------|-----------------|---------------|--------------------------|--------------------------|---------------|--------------------|
|                           | PIN-Nr.                    | mm <sup>2</sup> | Leitungsfarbe | PIN-Nr.                  | PIN-Nr.                  |               |                    |
| Blinklicht links (L)      | 1                          | 1,5             | gelb          | 3                        | –                        |               | 1                  |
| Blinklicht rechts (R)     | 2                          | 1,5             | grün          | 5                        | –                        |               | 2                  |
| Nebelschlusslicht (54g)   | 3                          | 1,5             | blau          | –                        | 7                        |               | 3                  |
| Masse 1–7 (31)            | 4                          | 2,5             | weiss         | 1                        | 1                        | P1            | 4                  |
| Schlusslicht links (58L)  | 5                          | 1,5             | schwarz       | 2                        | –                        |               | 5                  |
| Schlusslicht rechts (58R) | 6                          | 1,5             | braun         | 6                        | –                        | P3            | 6                  |
| Bremslicht (54)           | 7                          | 2,5             | rot           | 4                        | –                        |               | 7                  |
| Rückfahrlicht (54)        | 8                          | 1,5             | pink          | –                        | 3                        |               | 8                  |
| Dauerplus                 | 9                          | 2,5             | orange        | –                        | 4                        | P4            | 9                  |
| Bremsbelag-Sensor         | 10                         | 1,5             | grau          | –                        | 5                        |               | 10                 |
| Sensor für Bremse         | 11                         | 1,5             | weiss/schwarz | –                        | 2                        |               | 11                 |
| Achslift                  | 12                         | 1,5             | weiss/blau    | –                        | 6                        |               | 12                 |
| Masse für 14–15 (31)      | 13                         | 2,5             | weiss/rot     | –                        | –                        |               | 13                 |
| Datenleitung CAN_H        | 14                         | 1,5             | weiss/grün    | –                        | –                        |               | 14                 |
| Datenleitung CAN_L        | 15                         | 1,5             | weiss/braun   | –                        | –                        |               | 15                 |

**ENGLISH**

| Function                       | 15-pin, 24V<br>(ISO 12098) |                 |             | 7-pin, 24N<br>(ISO 1185) | 7-pin, 24S<br>(ISO 3731) | Contact holder | EasyConn<br>15-pin |
|--------------------------------|----------------------------|-----------------|-------------|--------------------------|--------------------------|----------------|--------------------|
|                                | PIN no.                    | mm <sup>2</sup> | Wire colour | PIN no.                  | PIN no.                  |                |                    |
| Direction indicator, left (L)  | 1                          | 1,5             | yellow      | 3                        | –                        |                | 1                  |
| Direction indicator, right (R) | 2                          | 1,5             | green       | 5                        | –                        |                | 2                  |
| Rear fog light (54g)           | 3                          | 1,5             | blue        | –                        | 7                        |                | 3                  |
| Ground 1–7 (31)                | 4                          | 2,5             | white       | 1                        | 1                        | P1             | 4                  |
| Tail light, left (58L)         | 5                          | 1,5             | black       | 2                        | –                        |                | 5                  |
| Tail light, right (58R)        | 6                          | 1,5             | brown       | 6                        | –                        | P3             | 6                  |
| Stop light (54)                | 7                          | 2,5             | red         | 4                        | –                        |                | 7                  |
| Reversing light (54)           | 8                          | 1,5             | pink        | –                        | 3                        |                | 8                  |
| Power supply                   | 9                          | 2,5             | orange      | –                        | 4                        | P4             | 9                  |
| Worn brake lining sensor       | 10                         | 1,5             | grey        | –                        | 5                        |                | 10                 |
| Sensor for brake               | 11                         | 1,5             | white/black | –                        | 2                        |                | 11                 |
| Axle lifting                   | 12                         | 1,5             | white/blue  | –                        | 6                        |                | 12                 |
| Ground for 14–15 (31)          | 13                         | 2,5             | white/red   | –                        | –                        |                | 13                 |
| Data core CAN_H                | 14                         | 1,5             | white/green | –                        | –                        |                | 14                 |
| Data core CAN_L                | 15                         | 1,5             | white/brown | –                        | –                        |                | 15                 |

## FRANÇAIS

| Fonction                               | 15-voies, 24V<br>(ISO 12098) |                 |                  | 7-voies, 24N<br>(ISO 1185) | 7-voies, 24S<br>(ISO 3731) | Porte-contact | EasyConn<br>15-voies |
|--|------------------------------|-----------------|------------------|----------------------------|----------------------------|---------------|----------------------|
|  | VOIE no.                     | mm <sup>2</sup> | Couleur de ligne | VOIE no.                   | VOIE no.                   |               |                      |
| Feu clignotant gauche (L)              | 1                            | 1,5             | jaune            | 3                          | –                          |               | 1                    |
| Feu clignotant droit (R)               | 2                            | 1,5             | vert             | 5                          | –                          |               | 2                    |
| Feu arrière de brouillard (54g)        | 3                            | 1,5             | bleu             | –                          | 7                          |               | 3                    |
| Masse 1–7 (31)                         | 4                            | 2,5             | blanc            | 1                          | 1                          | P1            | 4                    |
| Feu de position AR gauche (58L)        | 5                            | 1,5             | noir             | 2                          | –                          |               | 5                    |
| Feu de position AR droit (58R)         | 6                            | 1,5             | marron           | 6                          | –                          | P3            | 6                    |
| Feu stop (54)                          | 7                            | 2,5             | rouge            | 4                          | –                          |               | 7                    |
| Feu de recul (54)                      | 8                            | 1,5             | rose             | –                          | 3                          |               | 8                    |
| Permanent                              | 9                            | 2,5             | orange           | –                          | 4                          | P4            | 9                    |
| Capteur de garniture de frein          | 10                           | 1,5             | gris             | –                          | 5                          |               | 10                   |
| Capteur de frein                       | 11                           | 1,5             | blanc/noir       | –                          | 2                          |               | 11                   |
| Relevage d'essieu                      | 12                           | 1,5             | blanc/bleu       | –                          | 6                          |               | 12                   |
| Masse pour 14–15 (31)                  | 13                           | 2,5             | blanc/rouge      | –                          | –                          |               | 13                   |
| Ligne de transmission de données CAN_H | 14                           | 1,5             | blanc/vert       | –                          | –                          |               | 14                   |
| Ligne de transmission de données CAN_L | 15                           | 1,5             | blanc/marron     | –                          | –                          |               | 15                   |

## SVENSKA

| Funktion                    | 15-pin, 24V<br>(ISO 12098) |                 |           | 7-pin, 24N<br>(ISO 1185) | 7-pin, 24S<br>(ISO 3731) | Kontakthållare | EasyConn<br>15-pin |
|-----------------------------|----------------------------|-----------------|-----------|--------------------------|--------------------------|----------------|--------------------|
|                             | PIN-nr                     | mm <sup>2</sup> | Kabelfärg | PIN-nr                   | PIN-nr                   |                |                    |
| Blinker, vänster (L)        | 1                          | 1,5             | gul       | 3                        | –                        |                | 1                  |
| Blinker, höger (R)          | 2                          | 1,5             | grön      | 5                        | –                        |                | 2                  |
| Dimbaktjus (54g)            | 3                          | 1,5             | blå       | –                        | 7                        |                | 3                  |
| Jord 1–7 (31)               | 4                          | 2,5             | vit       | 1                        | 1                        | P1             | 4                  |
| Baktjus, vänster (58L)      | 5                          | 1,5             | svart     | 2                        | –                        |                | 5                  |
| Baktjus, höger (58R)        | 6                          | 1,5             | brun      | 6                        | –                        | P3             | 6                  |
| Bromsljus (54)              | 7                          | 2,5             | röd       | 4                        | –                        |                | 7                  |
| Backljus (54)               | 8                          | 1,5             | rosa      | –                        | 3                        |                | 8                  |
| Strömmatning, plus          | 9                          | 2,5             | orange    | –                        | 4                        | P4             | 9                  |
| Slitagevarnare, bromsbelägg | 10                         | 1,5             | grå       | –                        | 5                        |                | 10                 |
| Bromsensor                  | 11                         | 1,5             | vit/svart | –                        | 2                        |                | 11                 |
| Axellyft                    | 12                         | 1,5             | vit/blå   | –                        | 6                        |                | 12                 |
| Jord 14–15 (31)             | 13                         | 2,5             | vit/röd   | –                        | –                        |                | 13                 |
| Datakabel CAN_H             | 14                         | 1,5             | vit/grön  | –                        | –                        |                | 14                 |
| Datakabel CAN_L             | 15                         | 1,5             | vit/brun  | –                        | –                        |                | 15                 |

**DUTCH**

|                          | 15-pin, 24V<br>(ISO 12098) |                 |           | 7-pin, 24N<br>(ISO 1185) | 7-pin, 24S<br>(ISO 3731) | Contact | EasyConn<br>15-pin |
|--------------------------|----------------------------|-----------------|-----------|--------------------------|--------------------------|---------|--------------------|
| Functie                  | PIN-nr.                    | mm <sup>2</sup> | Aderkleur | PIN-nr.                  | PIN-nr.                  |         | PIN-nr.            |
| Knipperlicht links (L)   | 1                          | 1,5             | geel      | 3                        | –                        |         | 1                  |
| Knipperlicht rechts (R)  | 2                          | 1,5             | groen     | 5                        | –                        |         | 2                  |
| Mistachterlicht (54g)    | 3                          | 1,5             | blauw     | –                        | 7                        |         | 3                  |
| Massa 1–7 (31)           | 4                          | 2,5             | wit       | 1                        | 1                        | P1      | 4                  |
| Achterlicht links (58L)  | 5                          | 1,5             | zwart     | 2                        | –                        |         | 5                  |
| Achterlicht rechts (58R) | 6                          | 1,5             | bruin     | 6                        | –                        | P3      | 6                  |
| Remlicht (54)            | 7                          | 2,5             | rood      | 4                        | –                        |         | 7                  |
| Achteruitrijdlicht (54)  | 8                          | 1,5             | roze      | –                        | 3                        |         | 8                  |
| Continuplus              | 9                          | 2,5             | oranje    | –                        | 4                        | P4      | 9                  |
| Remvoeringsensor         | 10                         | 1,5             | grijs     | –                        | 5                        |         | 10                 |
| Sensor voor rem          | 11                         | 1,5             | wit/zwart | –                        | 2                        |         | 11                 |
| Aslift                   | 12                         | 1,5             | wit/blauw | –                        | 6                        |         | 12                 |
| Massa voor 14–15 (31)    | 13                         | 2,5             | wit/rood  | –                        | –                        |         | 13                 |
| Datalijn CAN_H           | 14                         | 1,5             | wit/groen | –                        | –                        |         | 14                 |
| Datalijn CAN_L           | 15                         | 1,5             | wit/bruin | –                        | –                        |         | 15                 |

**ESPAÑOL**

|                                  | 15-pin, 24V<br>(ISO 12098) |                 |                 | 7-pin, 24N<br>(ISO 1185) | 7-pin, 24S<br>(ISO 3731) | Portacontactos | EasyConn<br>15-pin |
|----------------------------------|----------------------------|-----------------|-----------------|--------------------------|--------------------------|----------------|--------------------|
| Función                          | PIN N°                     | mm <sup>2</sup> | Color del cable | PIN N°                   | PIN N°                   |                | PIN N°             |
| Intermitente izquierdo (L)       | 1                          | 1,5             | amarillo        | 3                        | –                        |                | 1                  |
| Intermitente derecho (R)         | 2                          | 1,5             | verde           | 5                        | –                        |                | 2                  |
| Luz antiniebla trasera (54g)     | 3                          | 1,5             | azul            | –                        | 7                        |                | 3                  |
| Masa 1–7 (31)                    | 4                          | 2,5             | blanco          | 1                        | 1                        | P1             | 4                  |
| Luz trasera izquierda (58L)      | 5                          | 1,5             | negro           | 2                        | –                        |                | 5                  |
| Luz trasera derecha (58R)        | 6                          | 1,5             | marrón          | 6                        | –                        | P3             | 6                  |
| Luz de freno (54)                | 7                          | 2,5             | rojo            | 4                        | –                        |                | 7                  |
| Luz de marcha atrás (54)         | 8                          | 1,5             | rosa            | –                        | 3                        |                | 8                  |
| Positivo permanente              | 9                          | 2,5             | naranja         | –                        | 4                        | P4             | 9                  |
| Sensor de las pastillas de freno | 10                         | 1,5             | gris            | –                        | 5                        |                | 10                 |
| Sensor para freno                | 11                         | 1,5             | blanco/negro    | –                        | 2                        |                | 11                 |
| Elevador de eje                  | 12                         | 1,5             | blanco/azul     | –                        | 6                        |                | 12                 |
| Masa para 14–15 (31)             | 13                         | 2,5             | blanco/rojo     | –                        | –                        |                | 13                 |
| Cable de datos CAN_H             | 14                         | 1,5             | blanco/verde    | –                        | –                        |                | 14                 |
| Cable de datos CAN_L             | 15                         | 1,5             | blanco/marrón   | –                        | –                        |                | 15                 |



**ITALIANO**

| Funzione                                    | 15-pin, 24V<br>(ISO 12098) |                 |                | 7-pin, 24N<br>(ISO 1185) | 7-pin, 24S<br>(ISO 3731) | Supporto di<br>contatto | EasyConn<br>15-pin |
|---|----------------------------|-----------------|----------------|--------------------------|--------------------------|-------------------------|--------------------|
|   | N. PIN                     | mm <sup>2</sup> | Colore cavo    | N. PIN                   | N. PIN                   |                         | N. PIN             |
| Indicatore di direzione sinistro (L)        | 1                          | 1,5             | giallo         | 3                        | –                        |                         | 1                  |
| Indicatore di direzione destro (R)          | 2                          | 1,5             | verde          | 5                        | –                        |                         | 2                  |
| Retronebbia (54g)                           | 3                          | 1,5             | azzurro        | –                        | 7                        |                         | 3                  |
| Massa 1–7 (31)                              | 4                          | 2,5             | bianco         | 1                        | 1                        | P1                      | 4                  |
| Luce di posizione posteriore sinistra (58L) | 5                          | 1,5             | nero           | 2                        | –                        |                         | 5                  |
| Luce di posizione posteriore destra (58R)   | 6                          | 1,5             | marrone        | 6                        | –                        | P3                      | 6                  |
| Luce stop (54)                              | 7                          | 2,5             | rosso          | 4                        | –                        |                         | 7                  |
| Luce di retromarcia (54)                    | 8                          | 1,5             | rosa           | –                        | 3                        |                         | 8                  |
| Polo positivo continua                      | 9                          | 2,5             | arancio        | –                        | 4                        | P4                      | 9                  |
| Sensore pastiglia del freno                 | 10                         | 1,5             | grigio         | –                        | 5                        |                         | 10                 |
| Sensore del freno                           | 11                         | 1,5             | bianco/nero    | –                        | 2                        |                         | 11                 |
| Sollevatore assale                          | 12                         | 1,5             | bianco/azzurro | –                        | 6                        |                         | 12                 |
| Massa per 14–15 (31)                        | 13                         | 2,5             | bianco/rosso   | –                        | –                        |                         | 13                 |
| Linea dati CAN_H                            | 14                         | 1,5             | bianco/verde   | –                        | –                        |                         | 14                 |
| Linea dati CAN_L                            | 15                         | 1,5             | bianco/marrone | –                        | –                        |                         | 15                 |

**SUOMI**

| Toiminto              | 15-pin, 24V<br>(ISO 12098) |                 |                | 7-pin, 24N<br>(ISO 1185) | 7-pin, 24S<br>(ISO 3731) | Koskettimen<br>pidin | EasyConn<br>15-pin |
|-----------------------|----------------------------|-----------------|----------------|--------------------------|--------------------------|----------------------|--------------------|
|                       | PIN-nro                    | mm <sup>2</sup> | Johdon väri    | PIN-nro                  | PIN-nro                  |                      | PIN-nro            |
| Suuntavilkku vas. (L) | 1                          | 1,5             | keltainen      | 3                        | –                        |                      | 1                  |
| Suuntavilkku oik. (R) | 2                          | 1,5             | vihreä         | 5                        | –                        |                      | 2                  |
| Takasumuvalo (54g)    | 3                          | 1,5             | sininen        | –                        | 7                        |                      | 3                  |
| Maadoitus 1–7 (31)    | 4                          | 2,5             | valkoinen      | 1                        | 1                        | P1                   | 4                  |
| Perävalo vas. (58L)   | 5                          | 1,5             | musta          | 2                        | –                        |                      | 5                  |
| Perävalo oik. (58R)   | 6                          | 1,5             | ruskea         | 6                        | –                        | P3                   | 6                  |
| Jarruvalo (54)        | 7                          | 2,5             | punainen       | 4                        | –                        |                      | 7                  |
| Petruutusvalo (54)    | 8                          | 1,5             | pinkki         | –                        | 3                        |                      | 8                  |
| Kestoplius            | 9                          | 2,5             | oranssi        | –                        | 4                        | P4                   | 9                  |
| Jarrupala-anturi      | 10                         | 1,5             | harmaa         | –                        | 5                        |                      | 10                 |
| Jarruanturi           | 11                         | 1,5             | valk./musta    | –                        | 2                        |                      | 11                 |
| Akselin nosto         | 12                         | 1,5             | valk./sininen  | –                        | 6                        |                      | 12                 |
| Maadoitus 14–15 (31)  | 13                         | 2,5             | valk./punainen | –                        | –                        |                      | 13                 |
| Tietojohdo CAN_H      | 14                         | 1,5             | valk./vihreä   | –                        | –                        |                      | 14                 |
| Tietojohdo CAN_L      | 15                         | 1,5             | valk./ruskea   | –                        | –                        |                      | 15                 |





