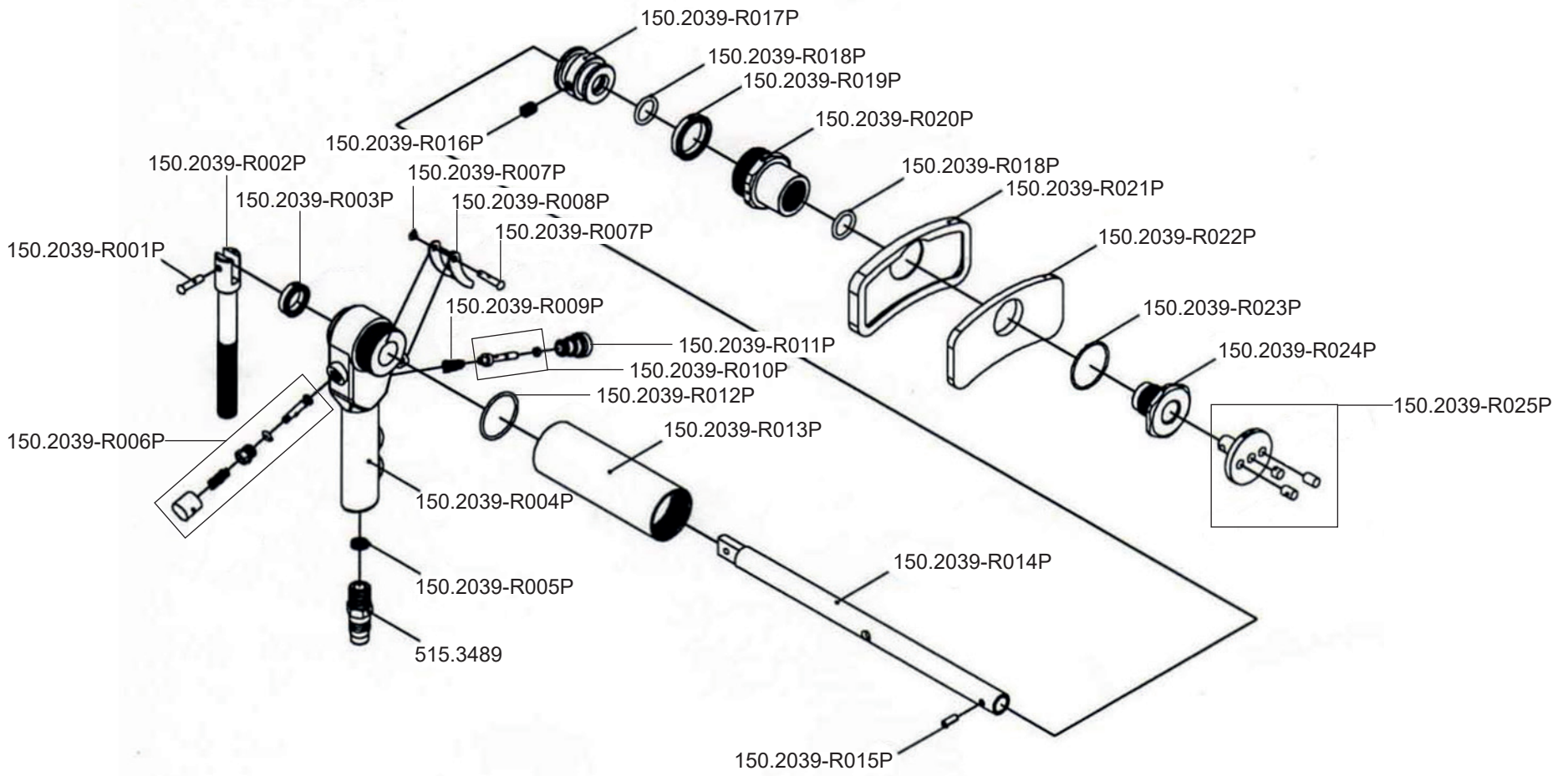


Art. 150.2039



Art. 150.2039

Art.-Nr.	Description	Beschreibung	Menge Qty.
515.1489	Air inlet connector, male thread, 1/4"	Messing-Stecknippel m.Außengew.10x13mm	1
150.2039-R001P	Rivet	Niete	1
150.2039-R002P	Handle	Griff	1
150.2039-R003P	Seal	Dichtung	1
150.2039-R004P	Housing	Gehäuse	1
150.2039-R005P	Filter gauze	Filter	1
150.2039-R006P	Valve	Ventil	1
150.2039-R007P	Rivet	Niete	1
150.2039-R008P	Trigger	Betätigung	1
150.2039-R009P	Spring	Feder	1
150.2039-R010P	Valve with o-ring	Ventil mit O-Ring	1
150.2039-R011P	Screw	Schraube	1
150.2039-R012P	O-Ring	O-Ring	1

Art.-Nr.	Description	Beschreibung	Menge Qty.
150.2039-R013P	Housing tube	Gehäuserohr	1
150.2039-R014P	Shaft	Welle	1
150.2039-R015P	Pin	Splint	1
150.2039-R016P	Nut	Mutter	1
150.2039-R017P	Piston	Kolben	1
150.2039-R018P	O-Ring	O-Ring	2
150.2039-R019P	Seal	Dichtung	1
150.2039-R020P	Housing front	Gehäusering	1
150.2039-R021P	Rubber cover	Gummiummantelung	1
150.2039-R022P	Plate	Gegenhalterplatte	1
150.2039-R023P	O-Ring	O-Ring	1
150.2039-R024P	Piston guide	Kolbenführung	1
150.2039-R025P	Adapter attachment	Adaptieraufnahme	1