



intAct GEL-Power

Sealed GEL battery with grid plates | electrolyte gel-bonded | filled and charged | absolutely maintenance-free

Art.No.

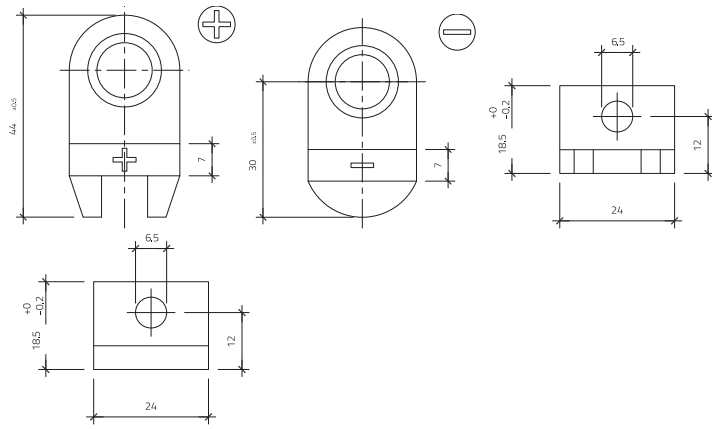
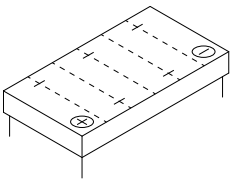
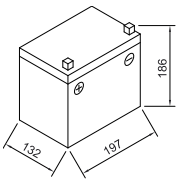
GEL-30

Usage

intAct GEL-Power

Volt	12V
Capacity	25 AH (c5), 30 AH (c20), 32 AH (c100)
CCR -18°C (EN)	-
Electrolyte	diluted sulphuric acid
Electrolyte density	1,28 +/- 0,01 Kg/l (25° C)
Size (LxWxH)	197 x 132 x 186 mm
Weight	11 kg
Pos. of Terminal	1
Terminal	19
Base plate	-

Size	Pos. of Terminal 1	Terminal 19	Base plate
			-



As of 26.08.2024